



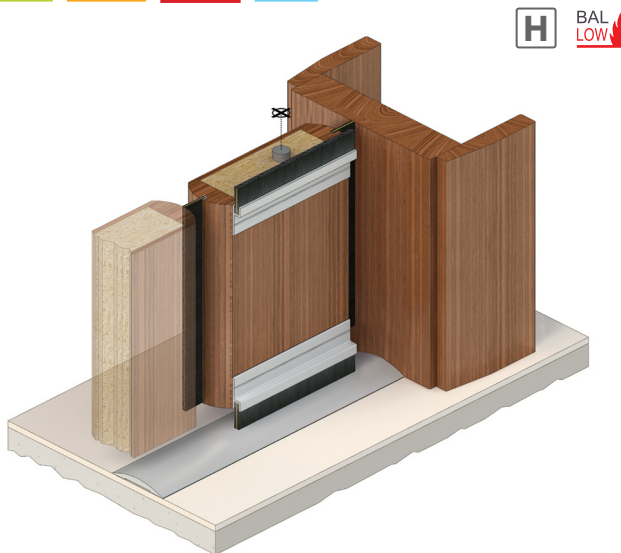
Pivot Doors

Timber and Aluminium Pivot Doors

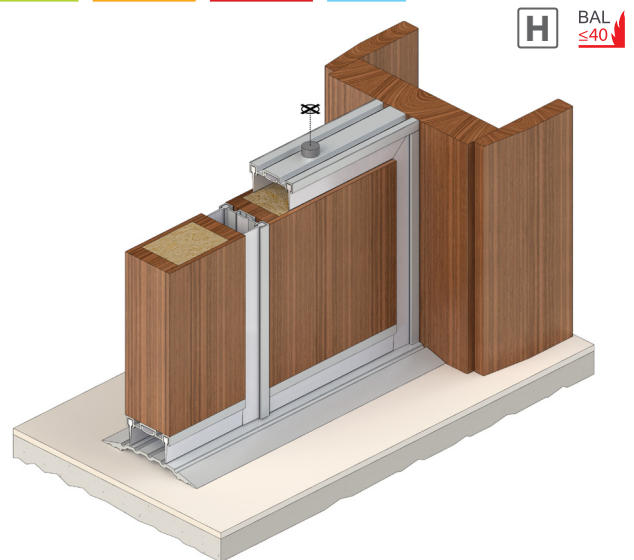
Single and double acting doors present one of the more difficult sealing problems. When a centre pivot hung door is opened, it must be considered that the leaf is travelling in two directions at once. That is to say, if a door is opened out, then that portion between the pivot and the jamb will be opening inwards. The same applies to the head of the door which means compression seals are not always practical. Sweep seals are the most effective solution in the form of brush strip strips or fins and bulb profiles made from PVC, TPE or silicon rubber to suit.

Weather and Energy

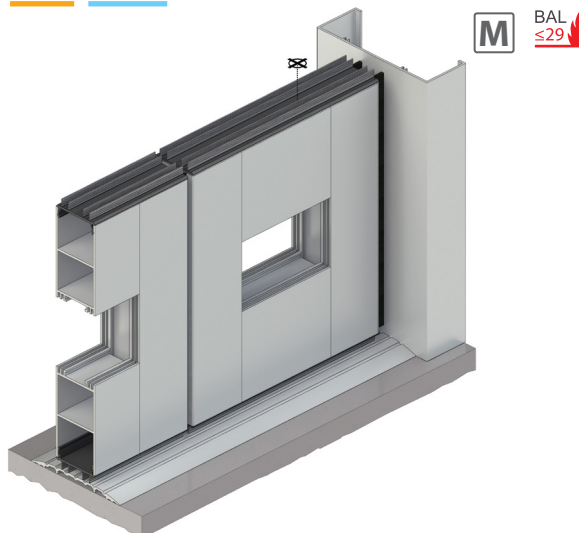
RP74F RP74F RP52F RP82



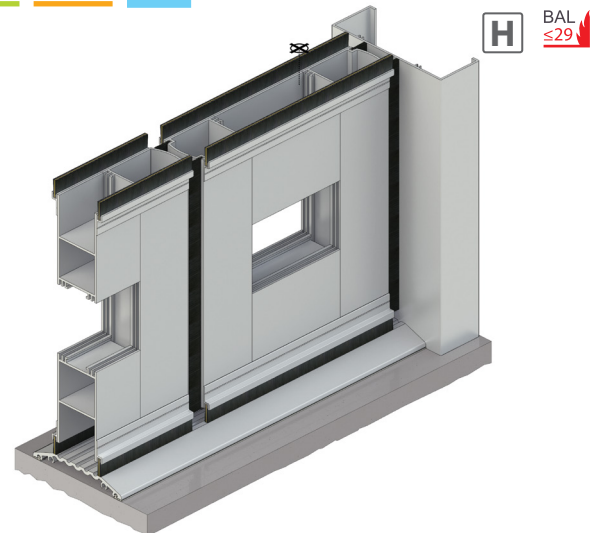
RP130Si RP129Si RP130Si RP115



RP89 RP89 RP116



RP74F RP74F RP19



Note: Vertical stile pile weather stripping supplied by fabricator.

Note: Vertical stile pile weather stripping supplied by fabricator.